

8. Mechanical Parts

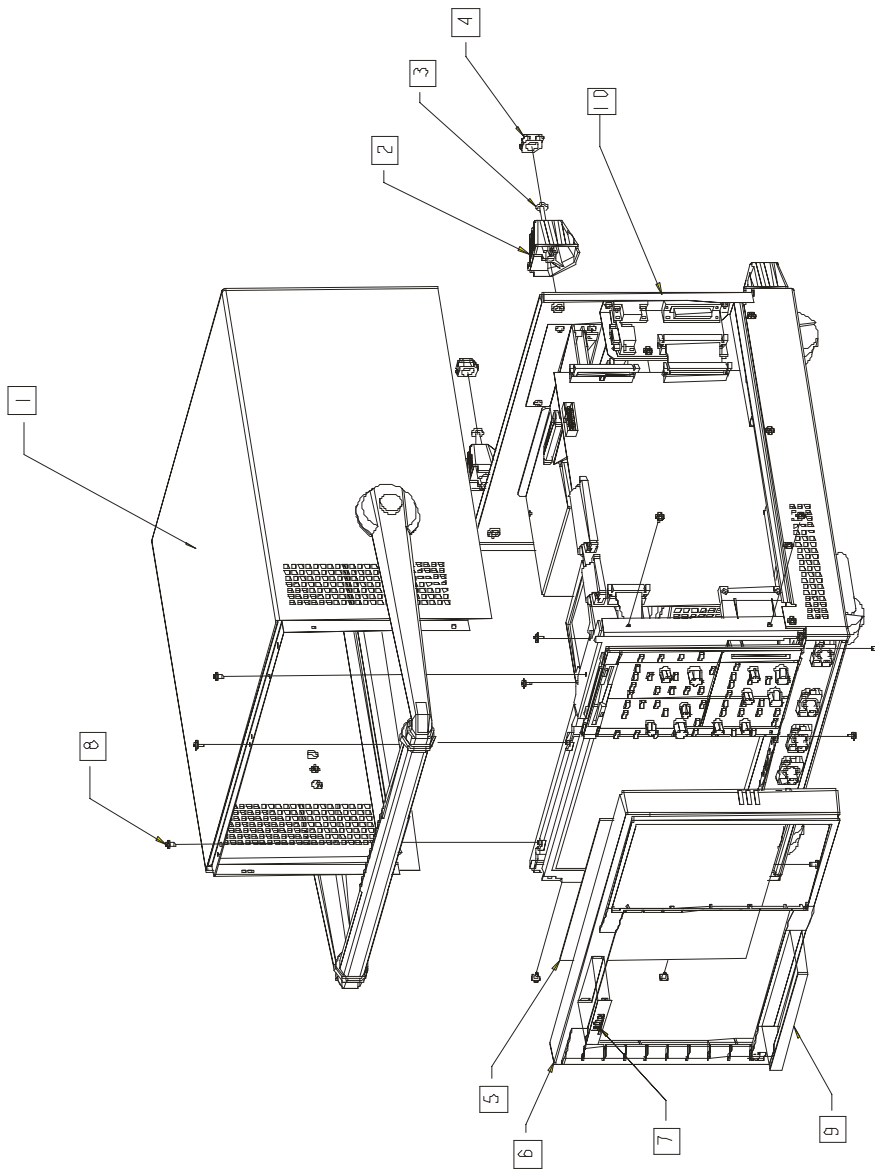


Figure 8-1: LC684D/DM/DL/DXL Cabinet

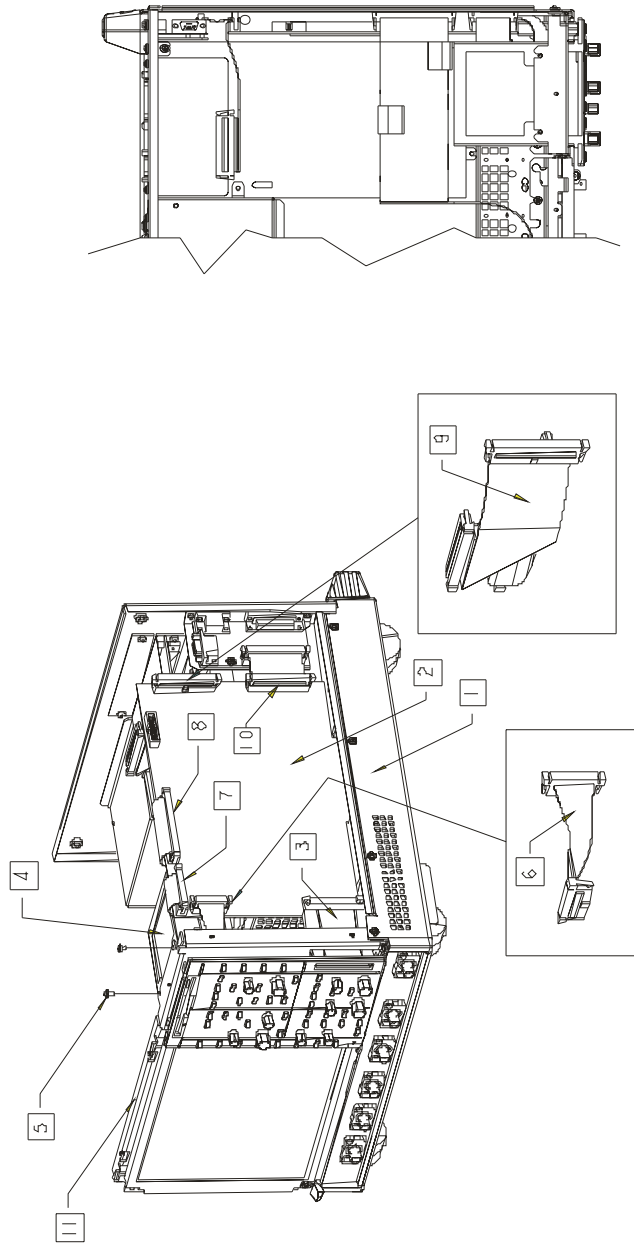


Figure 8-2: LC684D/DM/DL/DXL Chassis Assembly

LC684D/DM/DL/DXL Cabinet Replaceable Parts (Figure 8-1)

Item	LeCroy part Number	Qty	Description
1	UC9615	1	Upper Cover Assembly
2	709600075	4	9600 Rear Foot
3	550450116	4	Screw Cyl Hd Phil M5X16Mm
4	709600078	4	Rear Foot Rubber
5	709615201	1	Antiglare Glass Screen
6	709615000	1	Bezel Classic
7	709615010	1	Logo Lecroy For Flat Panel
8	550431106	10	Scr Pn Hd Ph W/Whr M3X6 W/Nylock
9	70LC68410	1	LC684D Front Label
9	70LC68420	1	LC684DM Front Label
9	70LC68430	1	LC684DL Front Label
9	70LC68440	1	LC684DXL Front Label

LC684D/DM/DL/DXL Chassis Replaceable Parts (Figure 8-2)

Item	LeCroy Part Number	Qty	Description
1	LCXXX	1	Lower Cover Assembly
2	F9601-11-16	1	Color Up Card & 2X8Mb Dram
2	F9601-11-64	1	Color Up Card & 2X32Mb Dram
2	F9602-1-64	1	Color P.Pc 200Mhz, 2X32Mb Dram
3	709424096	1	Memory Card Insert
4	F9601-61	1	Floppy Disk Drive Assy
5	550431106	2	Scr Pn Hd Ph W/Whr M3X6 W/Nylock
6	780721009	1	Flat Cable 2X10 (9Cm)
7	780991608	1	Flat Cable 2X13 (8 Cm)
8	780684001	1	Flat Cable 2X25 46Cm
9	780891032	1	Flat Cable 2X20 (4 Connect)
10	780981003	1	Flat Cable 2X20 (3.5 Cm)
11	LCDFP9615	1	LCD/Front Panel Assy

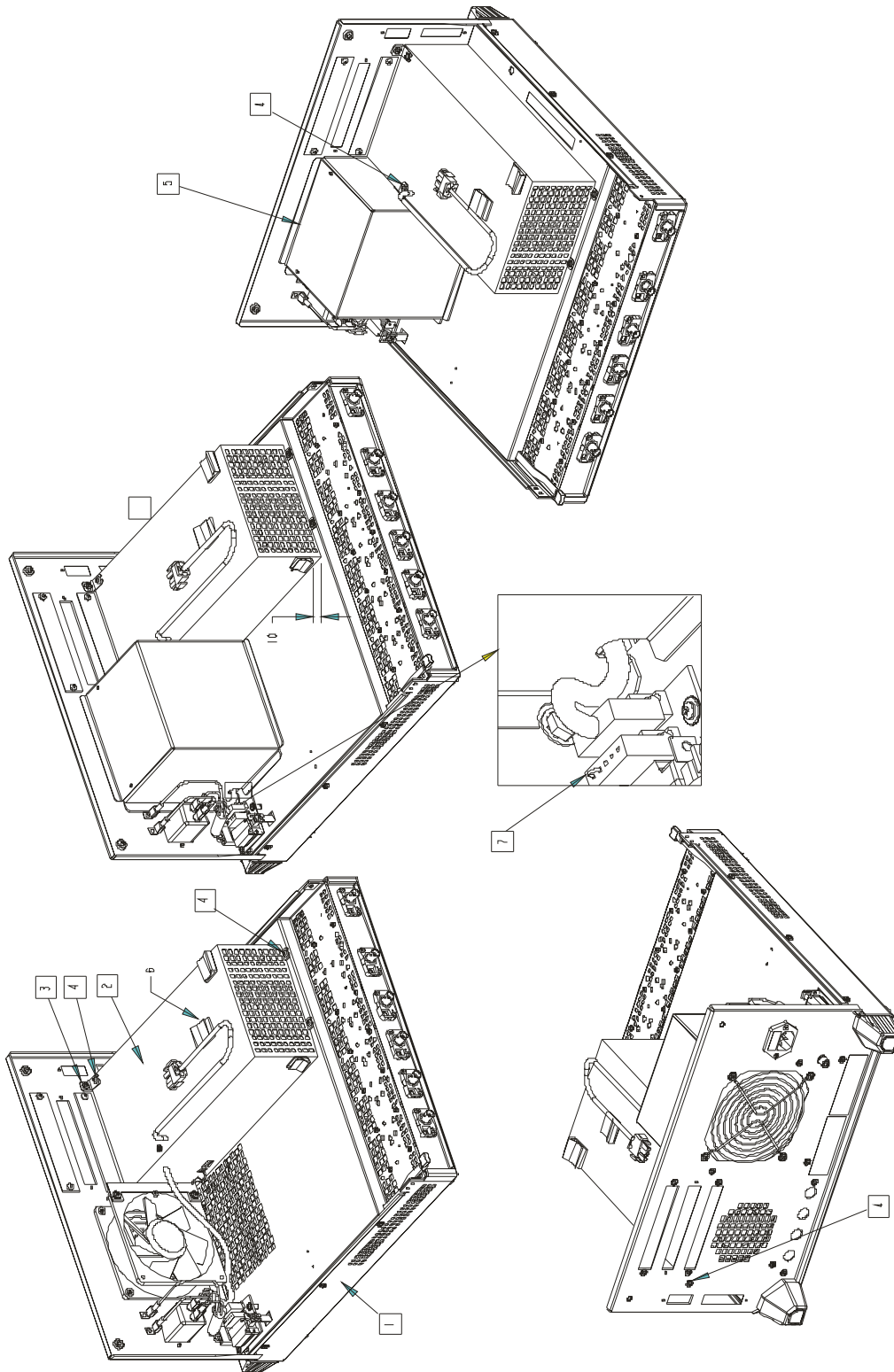


Figure 8-3 Power Supply Installation

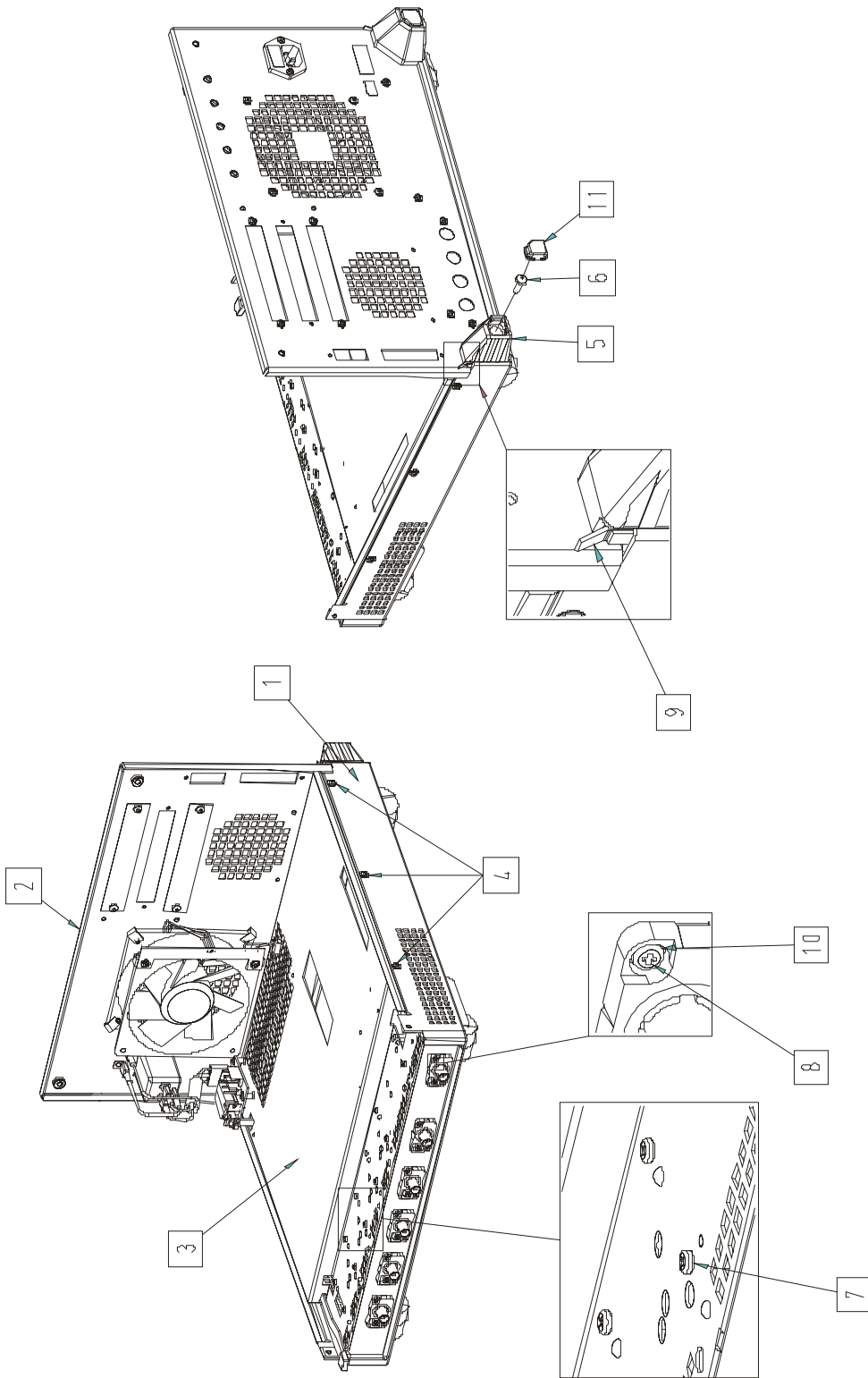


Figure 8-4: Lower Cover Assembly



Power Supply Installation Replaceable Parts(Figure 8-3)

Item	LeCroy Part Number	Qty	Description
1	LCLC9615	1	Lower Cover With Feet
2	PS9611	1	300W Power Supply
3	709614800	1	PS Square Angle Support
4	550431106	7	Scr Pn Hd Ph W/Whr M3X6 W/Nylock
5	709615901	1	Fan Chamber
6	594230002	3	Cable Clip Adhesive Back
7	789615001	1	Connector Assembly 9615

Lower Cover Replaceable Parts (Figure 8-4)

Item	LeCroy Part Number	Qty	Description
1	LCLC9615	1	Lower Cover With Feet
2	RP9615	1	Rear Panel Assy
3	US9615	1	Upper Shield And Rod Assy
4	550431106	6	Scr Pn Hd Ph W/Whr M3X6 W/Nylock
5	709600075	4	9600 Rear Foot
6	550450116	4	Screw Cyl Hd Phil M5X16Mm
7	550010130	12	Screw Pan Head Phil M3X30 W/Nylock
8	554425003	6	Screw S/Tap Phil M2.5X6 Black
9	709600048	2	9600 Upper Cover Lock Insert
11	709600078	4	Rear Foot Rubber

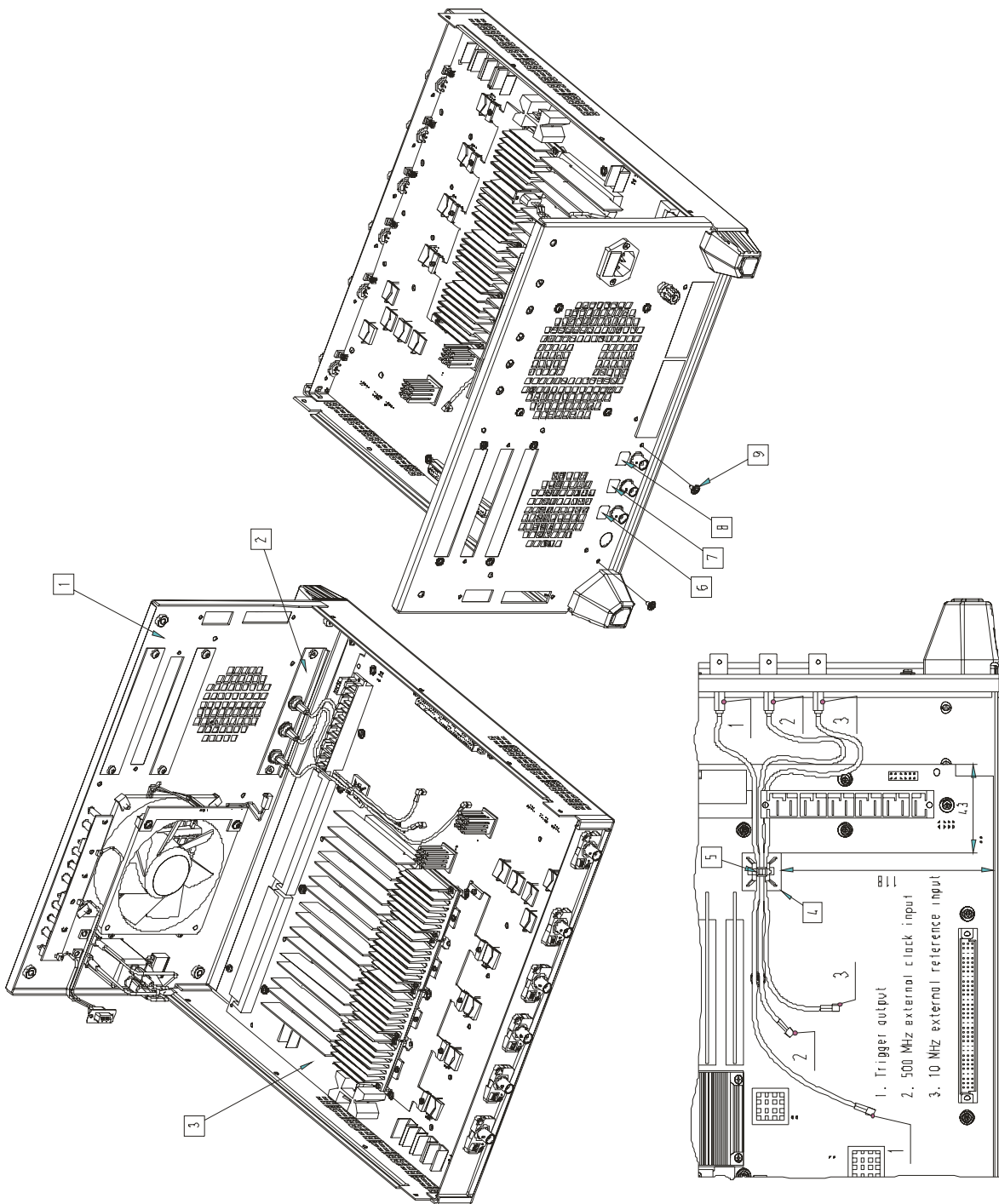


Figure 8-5: Lower Cover Assembly with CKTRIG Option

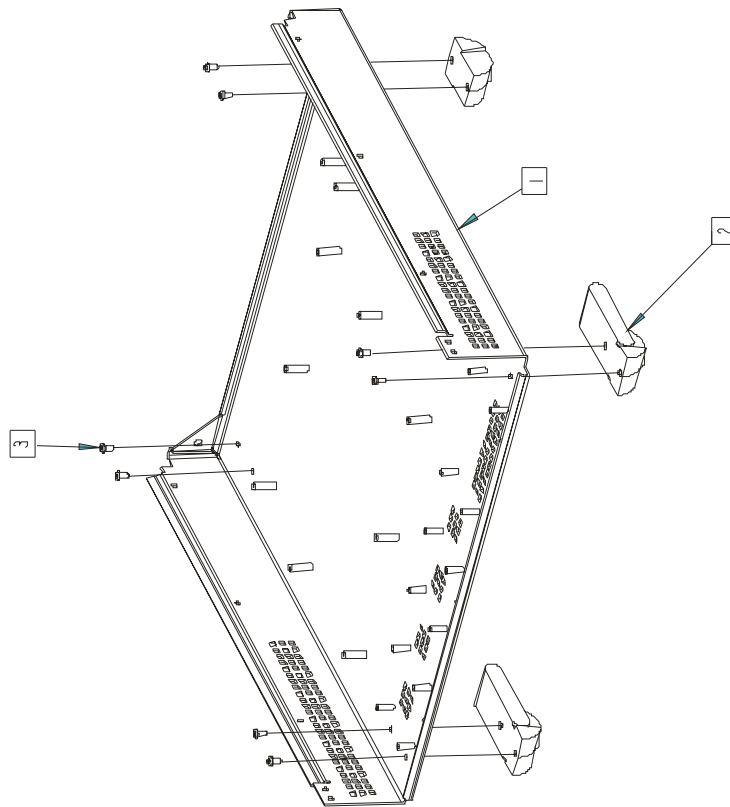
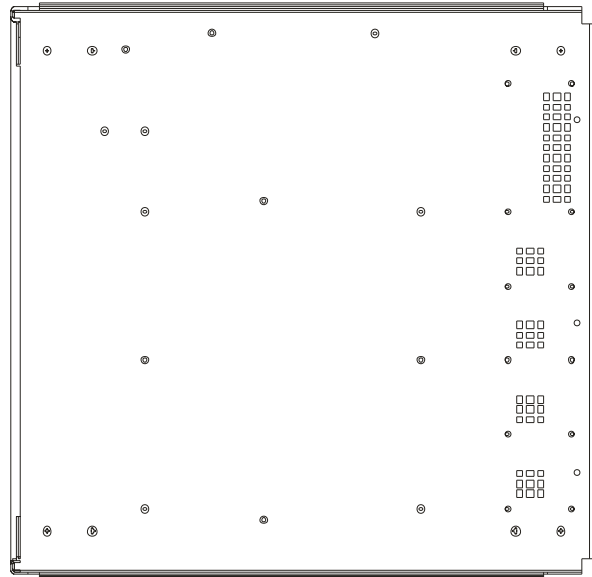


Figure 8-6: Lower Cover

Lower Cover with CKTRIG Option Replaceable Parts (Figure 8-5)

Item	LeCroy Part Number	Qty	Description
1	RP9615	1	Rear Panel Assy
2	LC684-CKTRIG	1	Clock And Trig Option
3	F9615-3	1	Main Card Quad 4 Ghz
4	594150001	1	Tiewrap Base 3/4" Sq
5	594120003	1	Tiewrap
6	709350341	1	10Mhz Ext Ref Label
7	709350351	1	500Mhz Ext Clk Label
8	7096XX361	1	Trig Output Label
9	550431106	6	Scr Pn Hd Ph W/Whr M3X6 W/Nylock

Lower Cover Replaceable Parts (Figure 8-6)

Item	LeCroy Part Number	Qty	Description
1	709615305	1	Lower Cover
2	485325001	1	Set Of 4 Feet, Dark Grey
3	554435006	8	Screw S/Tap Pan Phil KA35X7

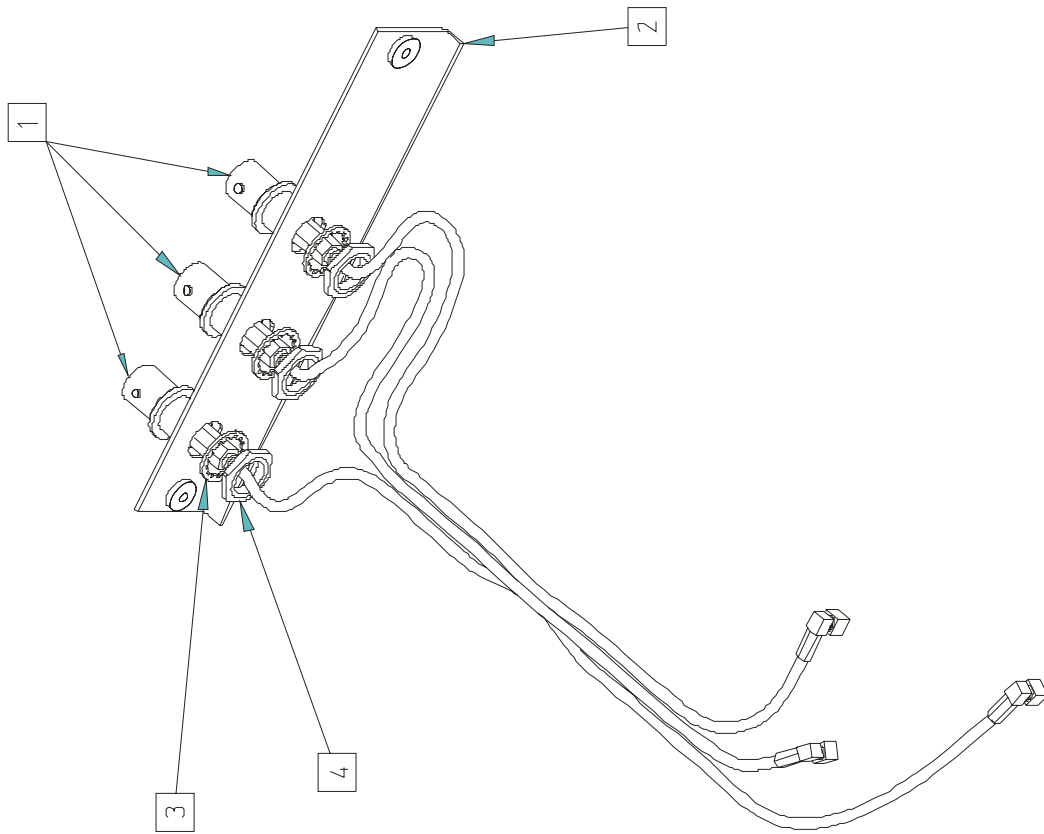


Figure 8-7: CKTRIG Option

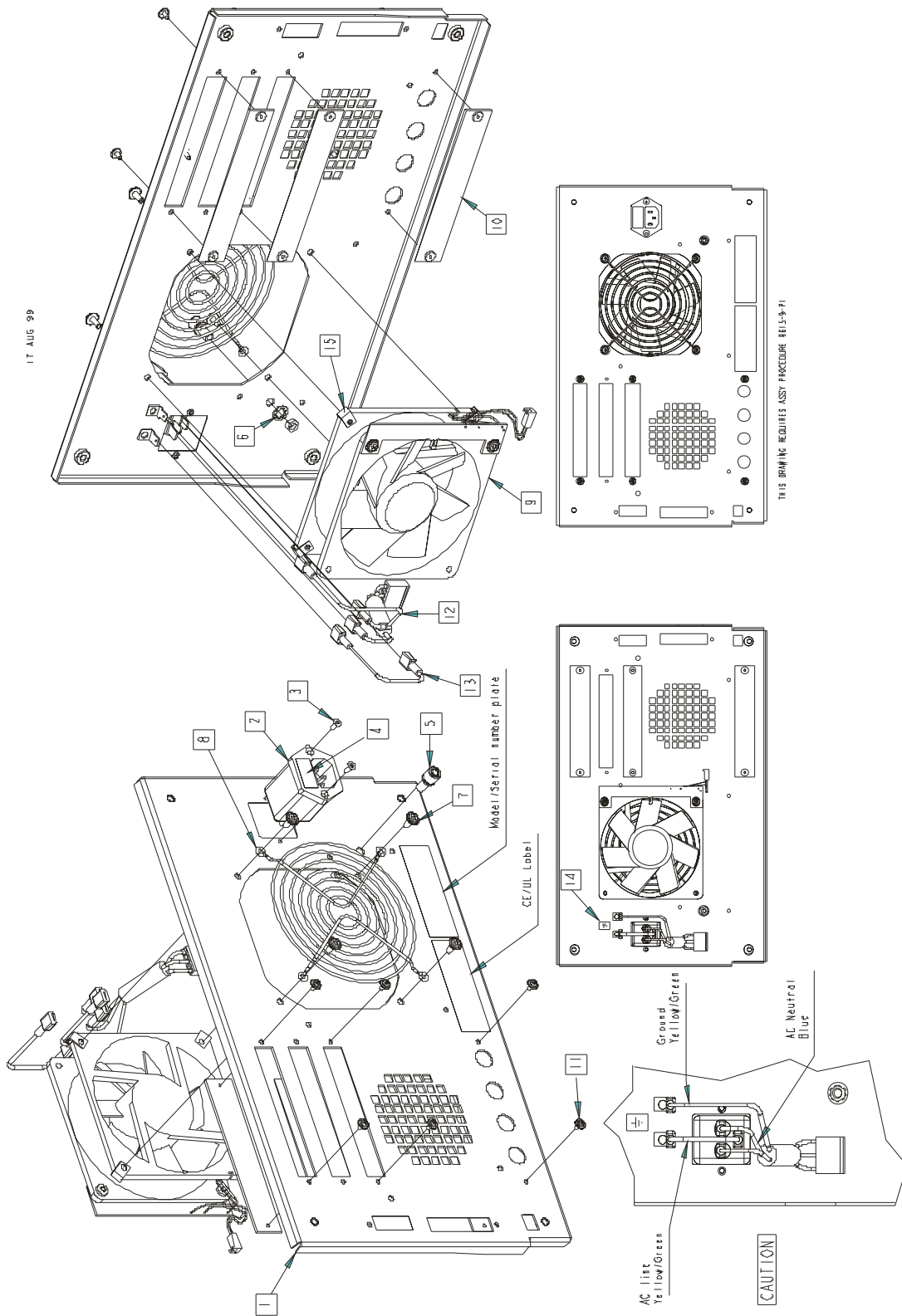


Figure 8-8: Rear Panel Assembly



CKTRIG Option Replaceable Parts (Figure 8-7)

Item	LeCroy Part Number	Qty	Description
1	781111128	3	Cable 28Cm RG316/U
2	709350331	1	935X-Cktrig Panel
3	709614301	3	Bnc Lockwasher
4	709614302	3	Bnc Nut

Rear Panel Replaceable Parts (Figure 8-8)

Item	LeCroy Part Number	Qty	Description
1	RP9615-9	1	Rear Panel 9615-9
2	315972600	1	Rfi Filter W/Dbf Fuse Block
3	550010508	2	Screw Flat Head Phil M3X8 W/Nylock
4	433162630	2	Fuse Slo-Blo 250V 6.30Amp
5	469040002	1	*Metal Banana Jack/Binding Post
6	577100002	1	Washer Shakeproof 1/4"
7	554435008	4	Screw S/Tap Pan Hd M3.5X16
8	530409037	1	Finger Guard, 4.7" Fan
9	F9602-9	1	Fan Universal Control. Assy.
10	7093XX931	3	Interf. Hole Closure 93XX-9
11	550431106	6	Scr Pn Hd Ph W/Whr M3X6 W/Nylock
12	785740005	1	Lc574 Line Input Cable
13	780834509	1	Ground Cable Yellow/Green 9cm
14	705740015	1	Label, Protective Gnd Symbol
15	554035101	4	Clip-On Nut Diam. 3.5

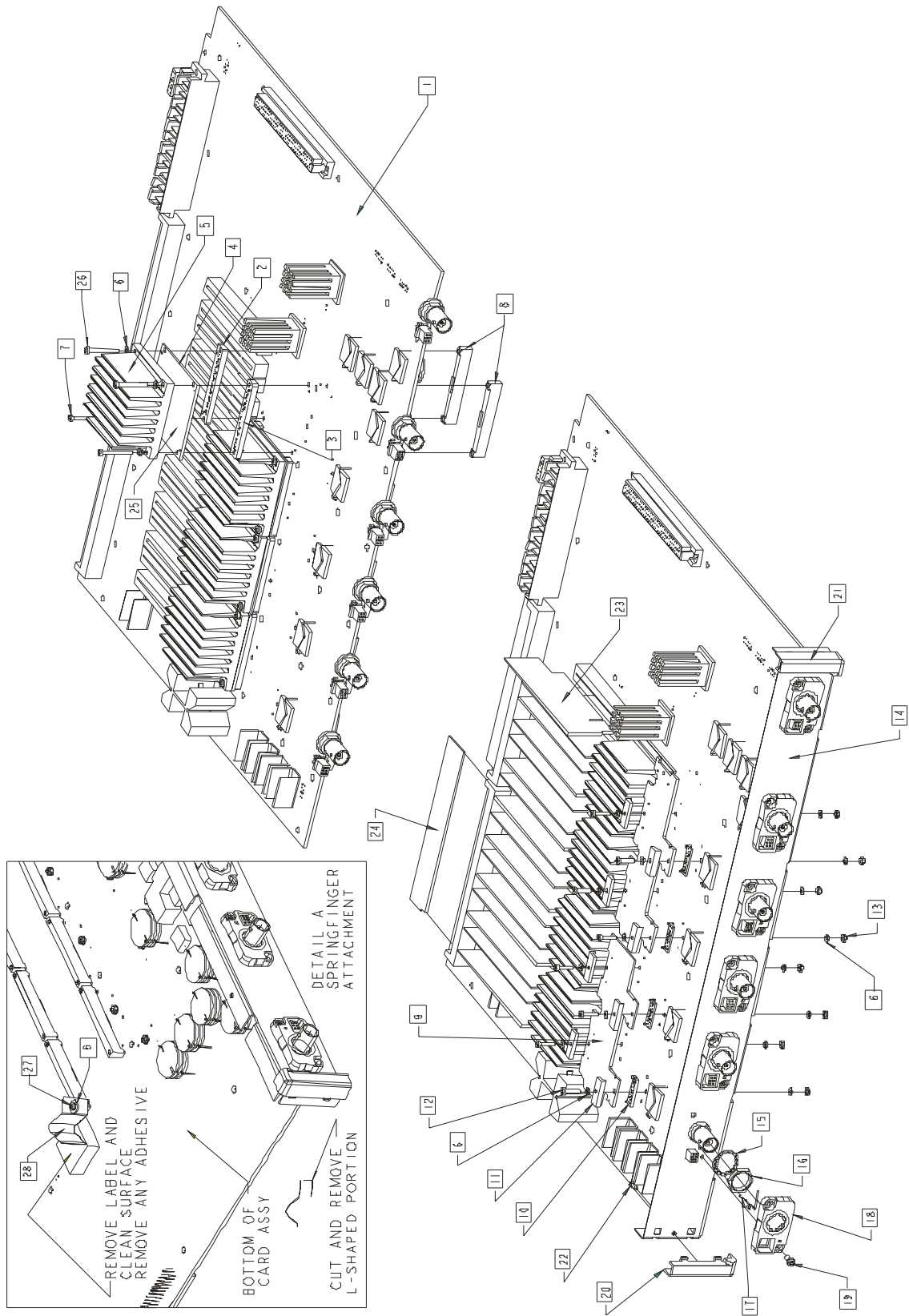


Figure 8-9: F9615-3 Main Board Assembly

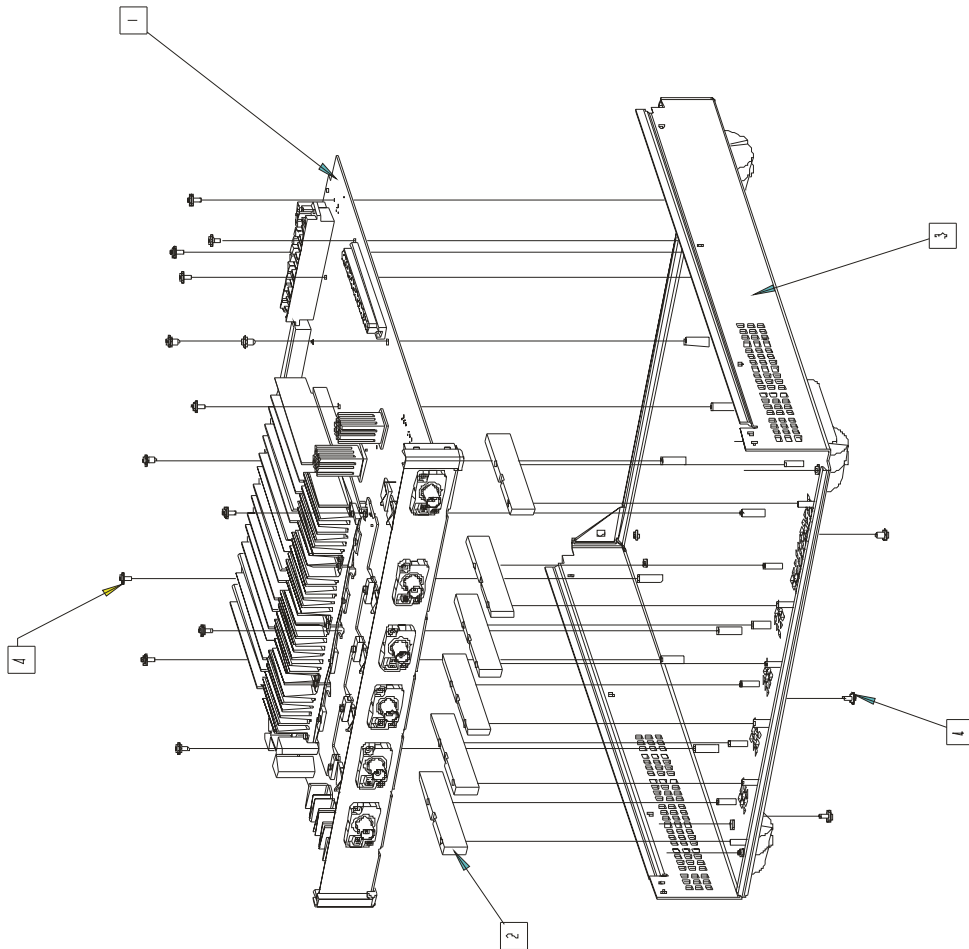
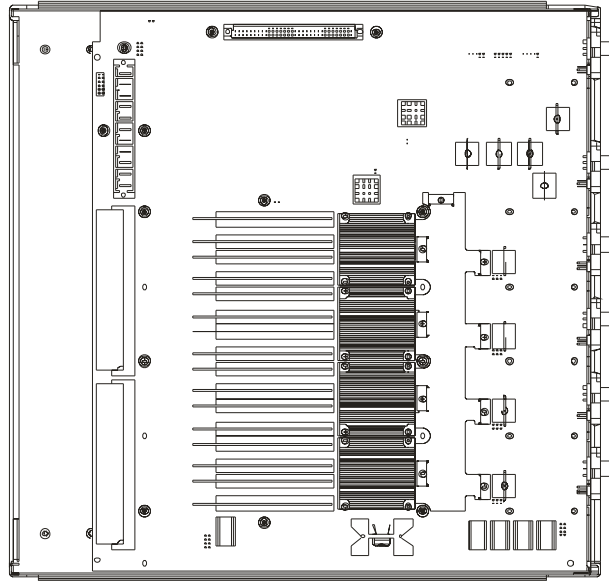


Figure 8-10: F9615-3 Main Board Assembly

F9615-3 Main Board Replaceable Parts (Figure 8-9)

Item	LeCroy Part Number	Qty	Description
1	S9615-3	1	Main Card Quad 4 Ghz
2	SM454213064	4	Conn Cin:Apse 64 Pts 3.5mm
3	SM454213056	4	Conn Cin:Apse 56 Pts 3.5mm
4	HAM435	4	2Gs/S Acq. Module
5	709614321	4	HAM421 Heatsink
6	551420400	33	Washer Shakeproof M2
7	550420820	15	Screw Cyl Hd Phil M2X20
8	709614315	8	HAM421 Tightener
9	HSY430	2	Switch Yard Board HSY430
10	SM454213016	8	Conn Cin:Apse 16 Pts 1.4mm
11	709614312	8	HSY 425 Tightener
12	550420110	8	Screw Cyl Hd Phil M2X10mm
13	552420100	8	4mm Hex Nut M2 Thd
14	FP9615-3	1	Main Card Panel 9615-3
15	709614301	6	Bnc Lock Washer
16	709614302	6	Bnc Nut
17	7093XXP91	6	Probe Ring Contact
18	7093XXP41	6	Probe Holder
19	554425003	6	Screw S/Tap Phil M2.5X6 Black
20	709600024	1	9600 Left Hub Cap
21	709600020	1	9600 Right Hub Cap
22	554422006	2	Screw S/Tap Pan Phil KA22X5
23	HMM436S	16	*Acquisition Mem. Module 2 Mbit
23	HMM436M	16	*Acquisition Mem. Module 4 Mbit
24	205800234	2	*2M X 32 Dram Module
25	HMM436L	16	*Acquisition Mem. Module 8 Mbit
25	CH599041022	1	Heat Sink Compound 251
26	550120116	1	Screw Pan Hd Ph M2X16 St Stl Pass
27	550120104	1	Screw Pan Hd Hp M2X4 St Stl Pass
28	350351001	0	Gasket, Shielding, Clip-On

F9615-3 Main Board Replaceable Parts (Figure 8-10)

Item	LeCroy Part Number	Qty	Description
1	F9615-3	1	Main Card Quad 4 Ghz
2	709614340	6	9614 Shield Lower Partition
3	LCLC9615	1	Lower Cover With Feet
4	550431106	13	Scr Pn Hd Ph W/Whr M3X6 W/Nylock

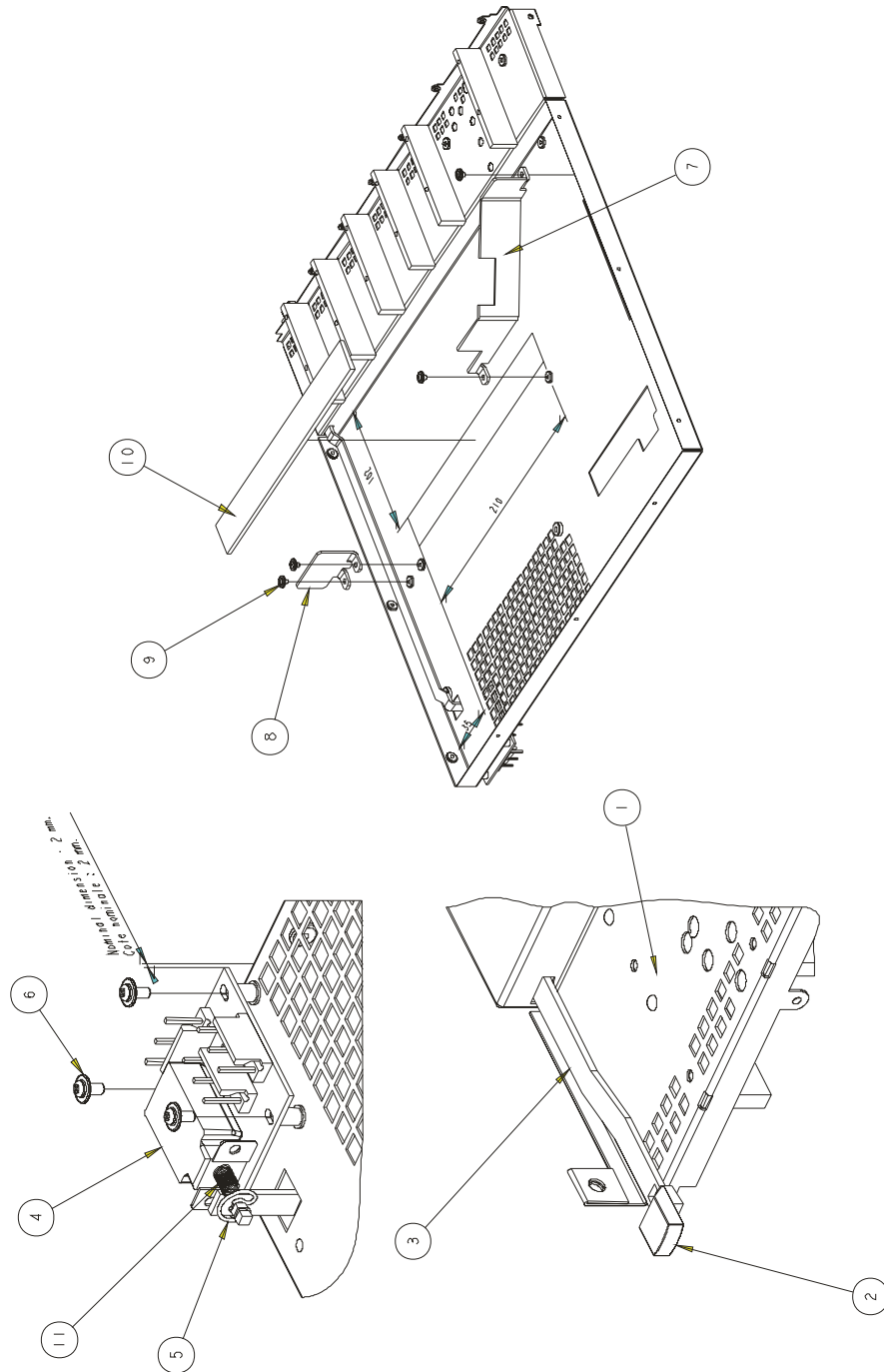


Figure 8-11: Upper Shield Assembly

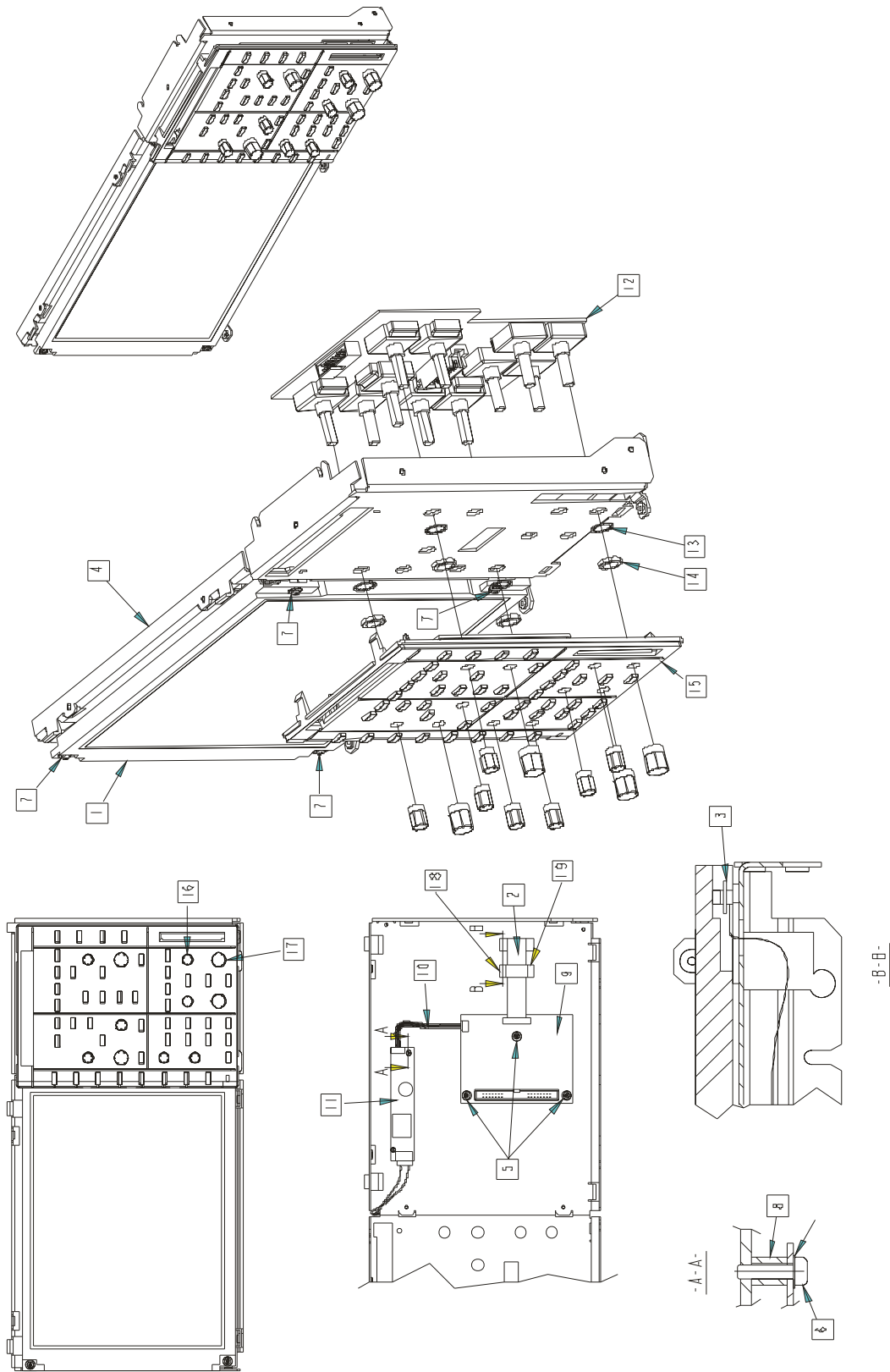


Figure 8-12: Front Frame Assembly



Upper Shield Replaceable Parts (Figure 8-11)

Item	LeCroy Part Number	Qty	Description
1	US9615-3	1	Upper Shield Assy
2	709600810	1	9600-8 Power Switch Button
3	709600820	1	9600-8 Power Switch Rod
4	F9601-8	1	Main Switch Board
5	554525901	1	Clip Diam 3.1Mm
6	550010706	3	Screw ECO-Fix Phil Pan M3X6 W/Nylock
7	709614310	1	Right Air Cooling Guide
8	709614320	1	Left Air Cooling Guide
9	550431104	4	Scr Pn Hd Ph W/Whr M3X4 W/Nylock
10	522011036	210	Adhesive Tape 3.18X25Mm
11	544420001	1	Spring Cmprsn 10.31MM ODx15.25 MMFL

Front Panel Replaceable Parts (Figure 8-12)

Item	LeCroy Part Number	Qty	Description
1	258104001	1	TFT Color Lcd Module, 10.4 Inch
2	592000032	1	Flat Cable 32 Pos .5 Step
3	S9615-22	1	Interface Circuit
4	709615007	1	Front Frame (Sharp)
5	550430706	3	Screw Eco-Fix M3X6
6	550420108	2	Screw Pan Hd Phil M2.0X8mm Lg
7	550430608	4	*Screw Eco-Fix M3X8
8	520200120	2	Spacer 4mmmodx2.6mmidx5mmlg Nylon Bk
9	S9615-21	1	Buffer Board
10	300070000	1	Ferrite Shielding Flat Cable
11	315000003	1	Tft Dc-Ac Inverter Unit
12	F9615-5	1	Keyboard Assy
13	551090001	4	M9 Lockwasher
14	552090075	4	M9 X 0.75 Mounting Nut
15	S9615-52	1	Generic Front Panel
16	709600560	7	9600-5 Knob Diam 9
17	709600570	4	9600-5 Knob Diam 12

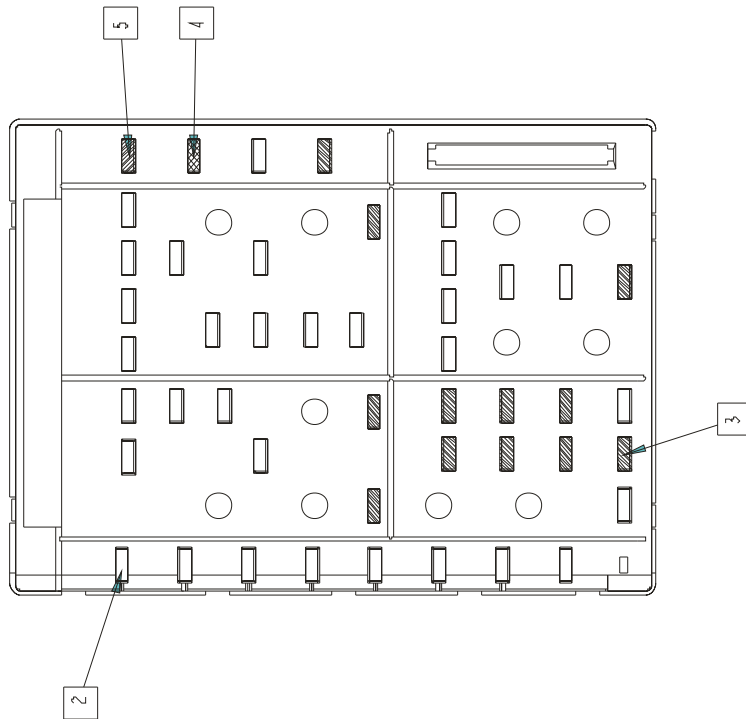
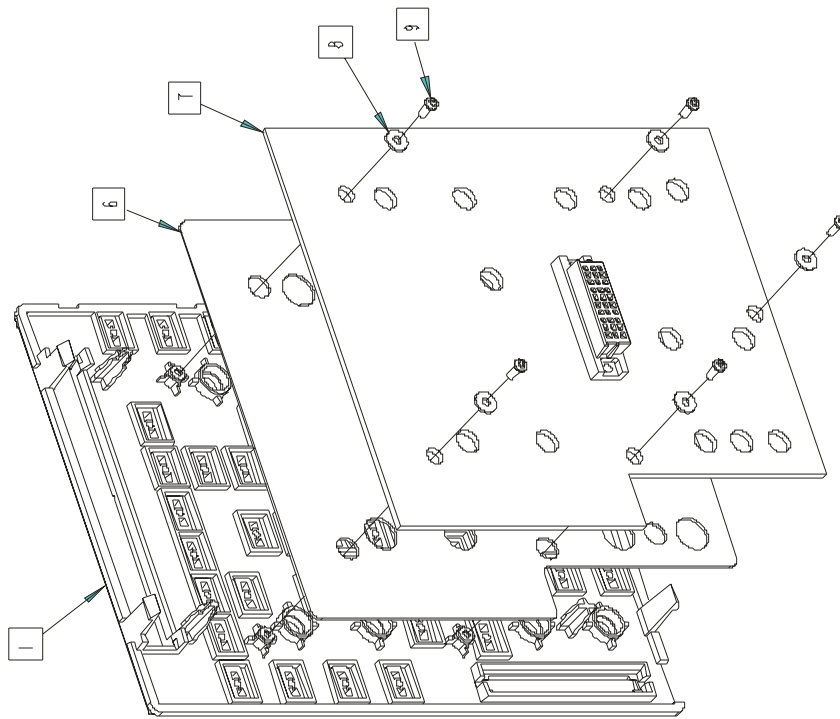


Figure 8-13: Keypad Assembly

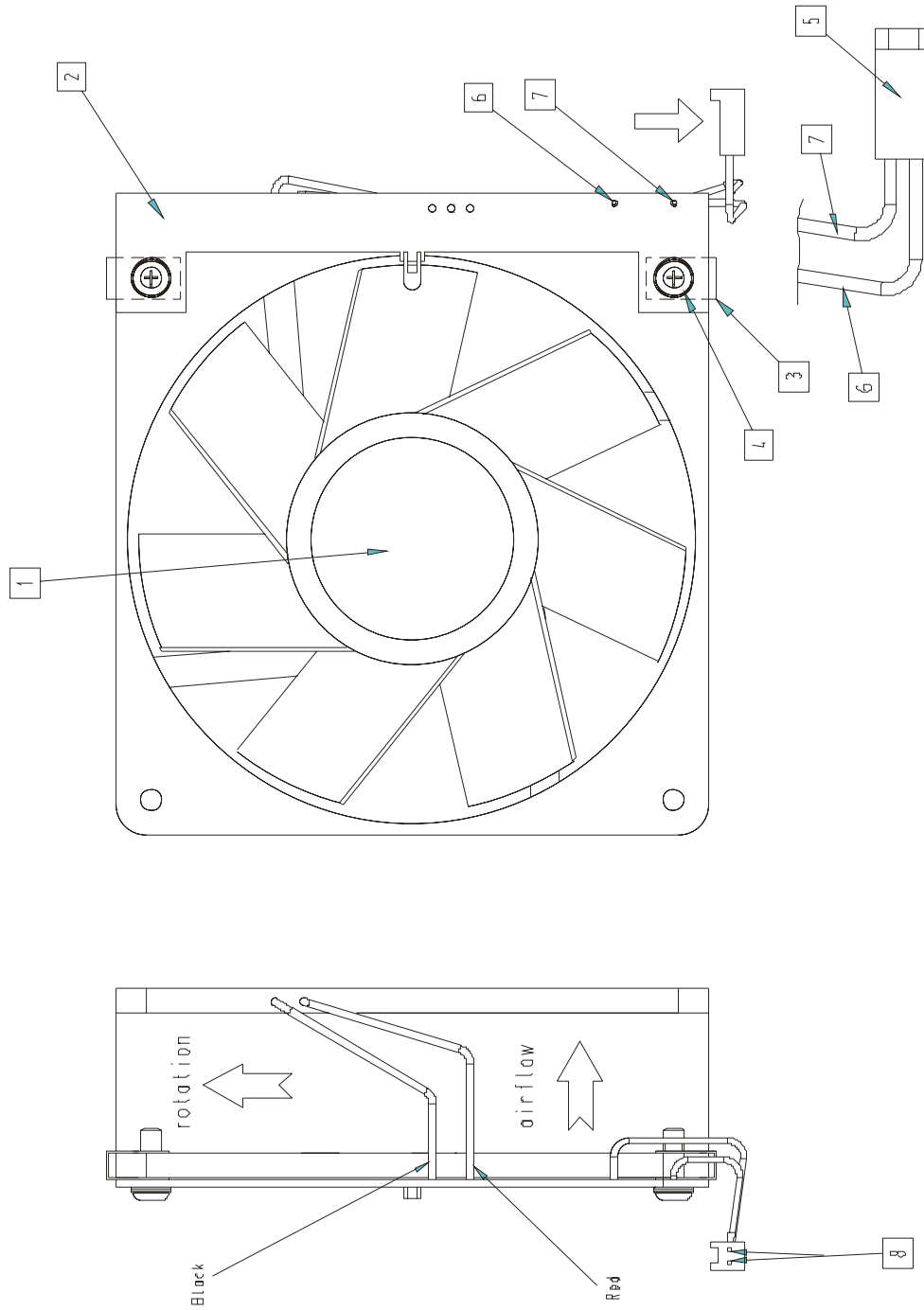


Figure 8-14: Fan Assembly

Keypad Replaceable Parts (Figure 8-13)

Item	LeCroy Part Number	Qty	Description
1	709615512	1	Front Panel Classic
2	709600510	32	9600-5 Switch Cap, Light Grey
3	709600512	12	9600-5 Switch Cap Dark Grey
4	709600516	1	9600-5 Switch Cap, Green
5	709600514	1	9600-5 Switch Cap, Blue
6	709615500	1	TFT Rubber Mat
7	S9615-51	1	Keypad
8	551423100	5	Flat Washer M2.3
9	554422005	5	Screw S/Tap Pan Phil KA22X6

Fan Replaceable Parts (Figure 8-14)

Item	LeCroy Part Number	Qty	Description
1	530409116	1	12V DC Fan, Brushless
2	S9602-9	1	Fan Universal Control. Circuit
3	554035101	2	Clip-On Nut Diam. 3.5
4	554010013	2	Screw S/Tap Pan Hd M3.5X13
5	405154002	1	Conn Housing 2-Pos
6	590221022	1	Wire Teflon 7/30 Red 22
7	590001022	1	Wire Teflon 7/30 Blk 22
8	405708001	2	Terminal Anti-Fishhooking Crimp

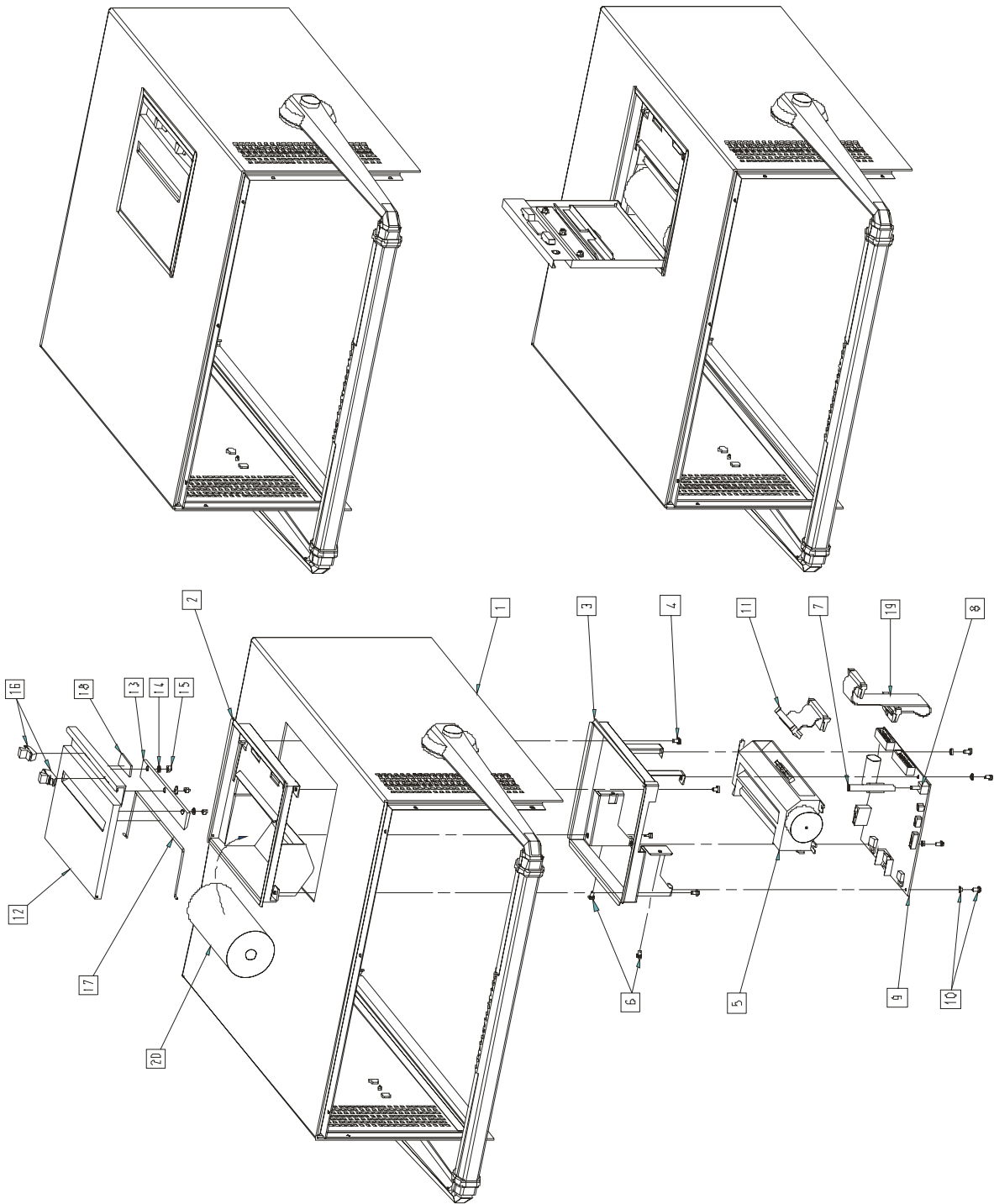


Figure 8-15: Graphic Printer Assembly

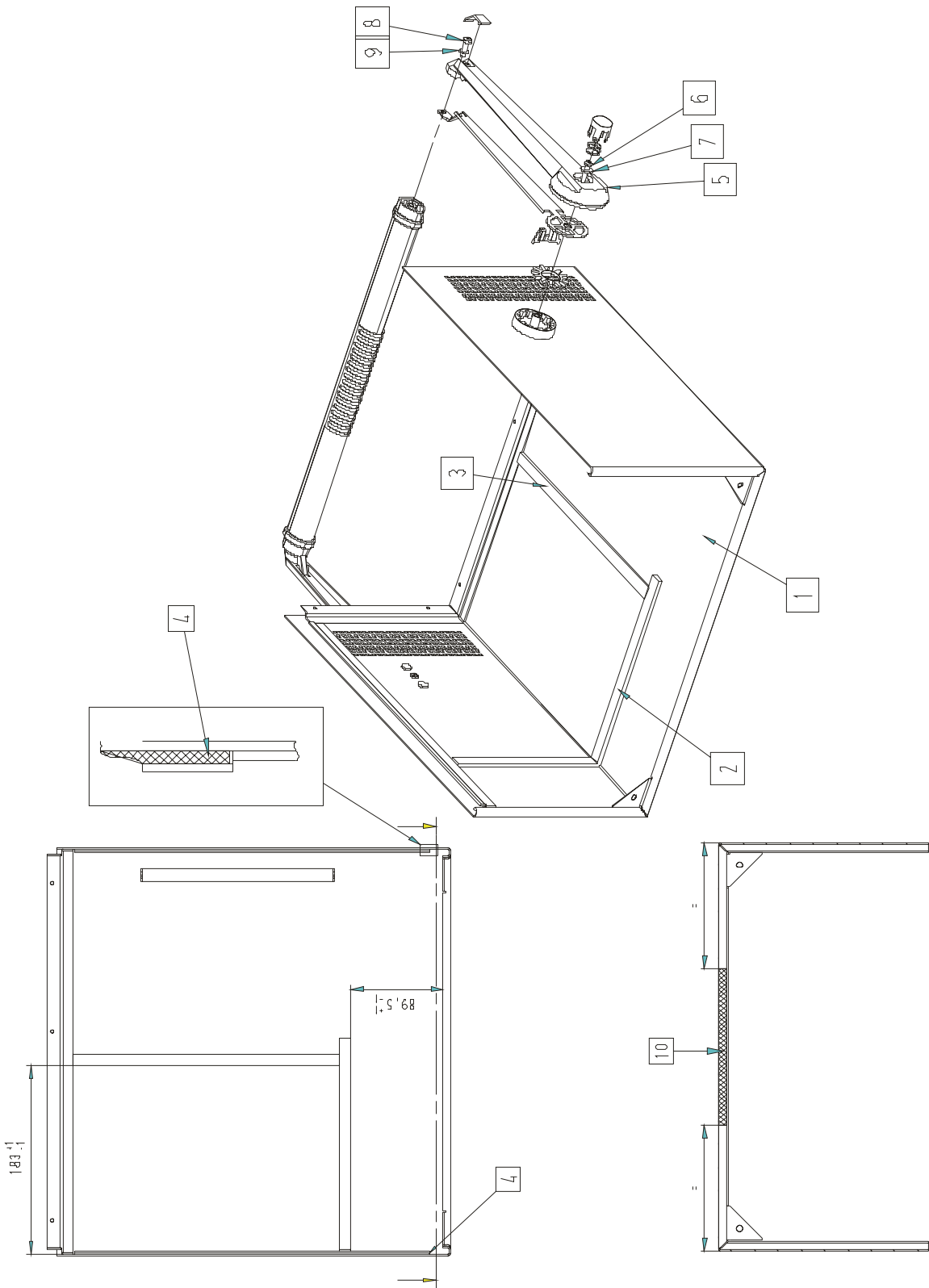


Figure 8-16: Upper Cover Assembly



Graphic Printer Replaceable Parts (Figure 8-15)

Item	LeCroy Part Number	Qty	Description
1	709615006	1	GP01 Upper Cover
2	BOX-GP01	1	GP01 Graphic Printer Box
3	709601031	1	Graphic Printer Frame
4	550010106	4	Screw Pan Head Phil M3X6 W/Nylock
5	334000832	1	Thermal Printer Unit
6	550011120	2	Screw Pan Head Phil M4X20 W/Nylock
7	70GP01061	1	Graphic Printer Switch Button
8	709450523	1	Push Switch Extender
9	F9300-7	1	LTP 5446 Printer Controller
10	550010105	7	Screw Pan Head Phil M3X5 W/Nylock
11	780791604	1	Flat Cable 2X13 (4cm)
12	COVER-GP01	1	GP01 Graphic Printer Cover
13	70GP01051	1	Graphic Printer Cutter
14	551430100	3	Flat Washer M3
15	552430300	3	Nut Open-End Acorn M3
16	530040005	2	Slide Latch Tab Style
17	70GP01041	1	Graphic Printer Cover Axle
18	389340008	30	Auto-Adhesive Rubber Band 12X2mm
19	780721022	1	Flat Cable 2X10 (22cm)
20	334000402	1	Thermal Paper For Seiko Printer
21	709600090	1	Tip-Up Handle

Upper Cover Replaceable Parts (Figure 8-16)

Item	LeCroy Part Number	Qty	Description
1	709615005	1	Upper Cover
2	350920024	70	Monel Mesh Strip Diam 2.4Mm
3	709600090	1	Tip-Up Handle
4	350150001	3	Gasket,Ultraflex,PSa,6" X 0.25"Dia
5	709600090 kit	2	Arm
6	550011120	2	Screw Pan Head Phil M4X20 W/Nylock
7	709600090 kit	2	Flat Washer M4
8	709600090 kit	2	Socket Head Screw M5X16 Loctite Coated
9	709600090 kit	2	Washer M5
10	350150001	3	Gasket,Ultraflex,PSA,6" X 0.25"Dia

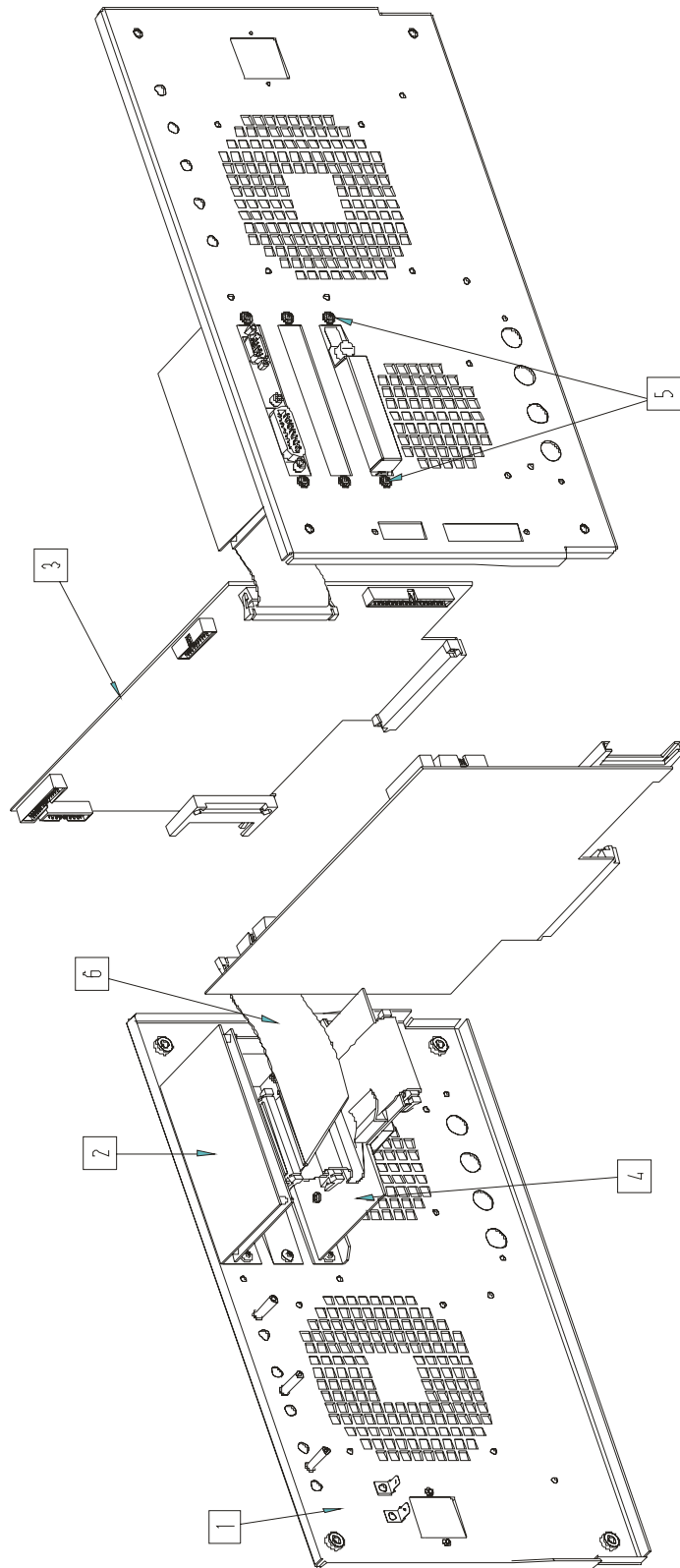


Figure 8-17: Hard Disk Assembly

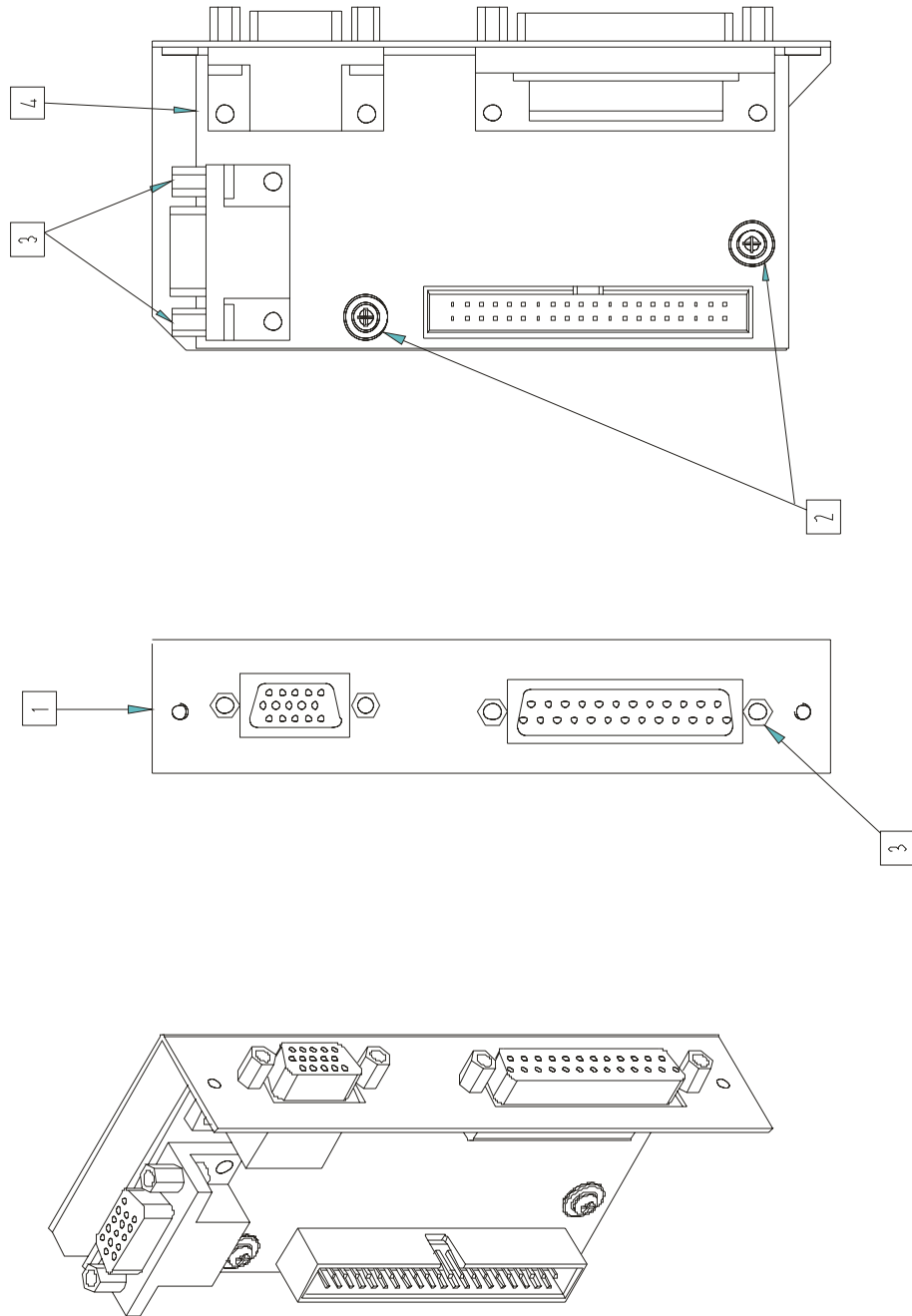


Figure 8-18: Centronics & VGA Interface Assembly

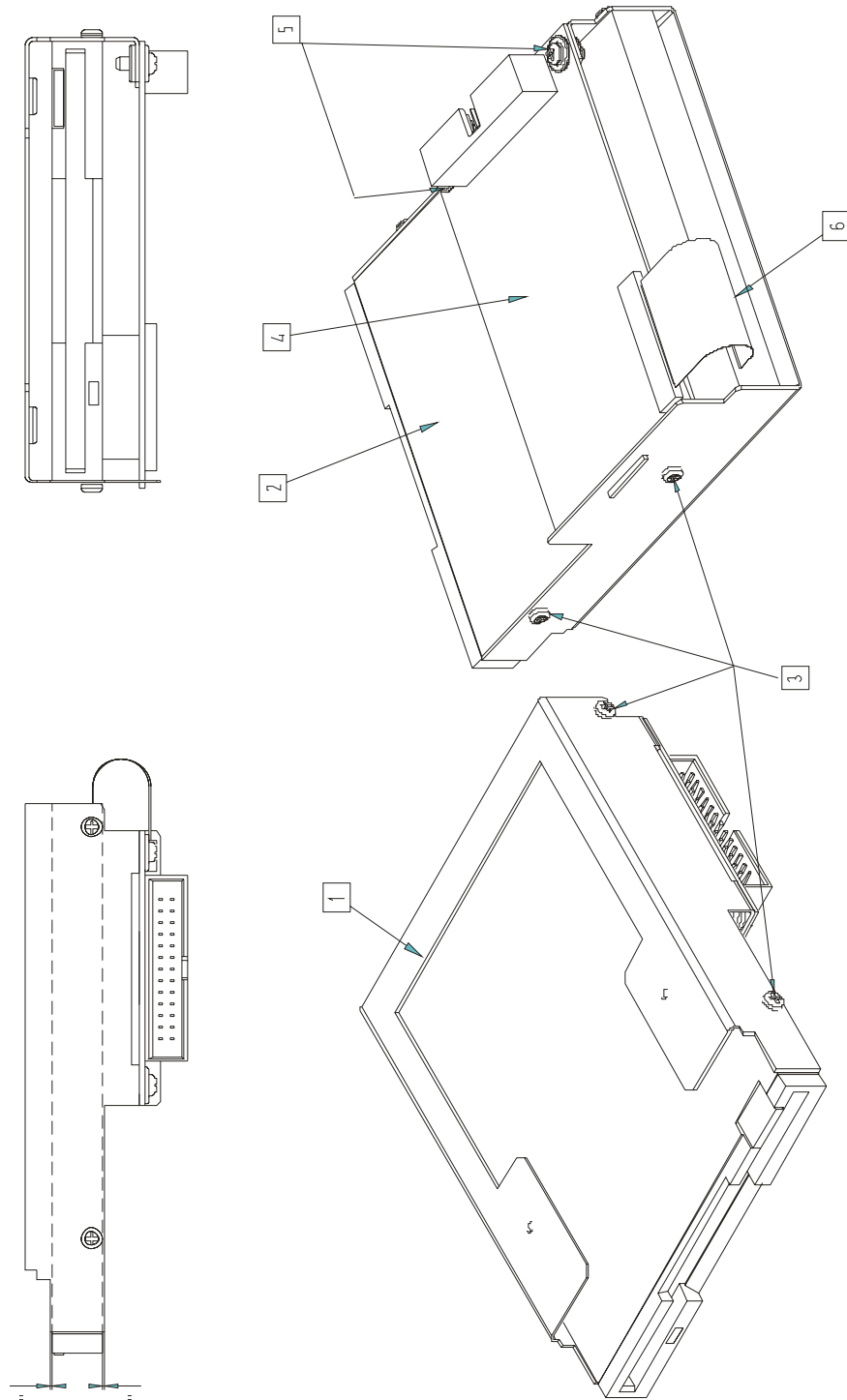


Figure 8-19: Floppy Disk Assembly



Hard Disk Replaceable Parts (Figure 8-17)

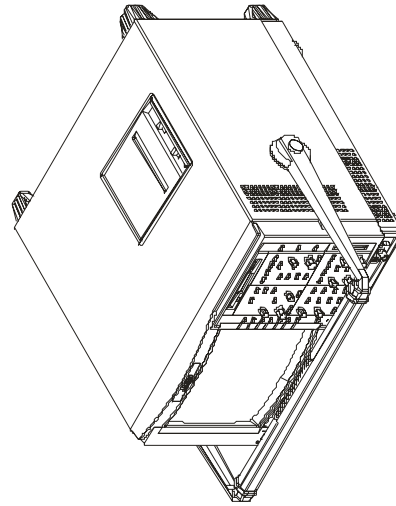
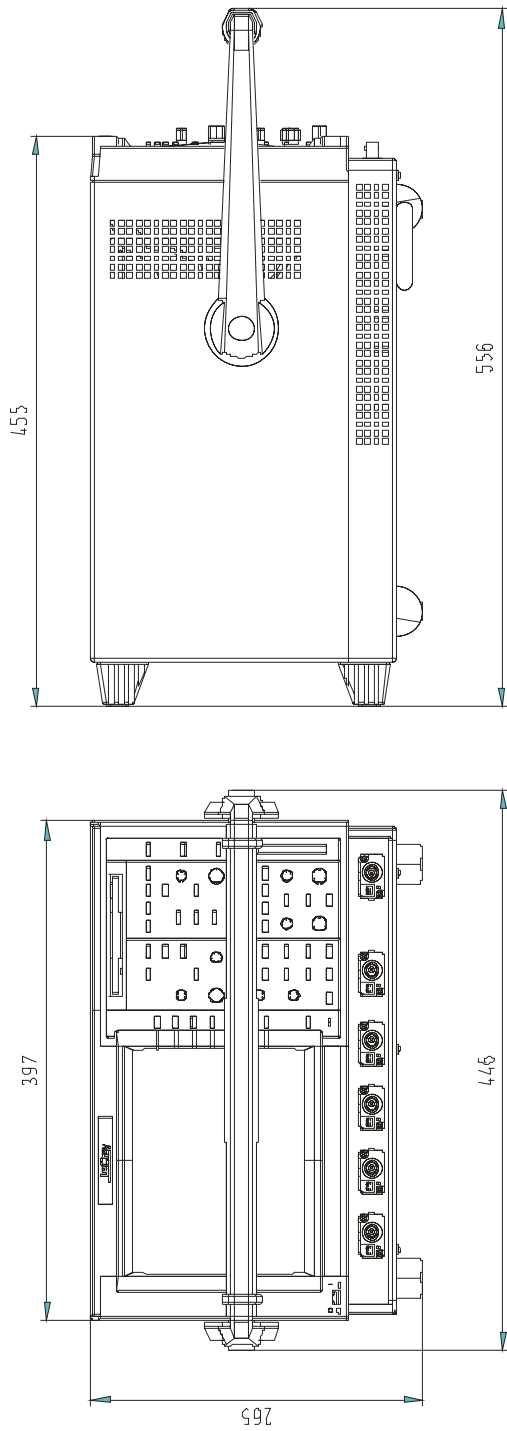
Item	LeCroy Part Number	Qty	Description
1	RP9615-9	1	Rear Panel
2	F9301-4	1	GPIB & RS232 Interface
3	F9601-11-16	1	Processor Card
4	F9300-8	1	PCMCIA III Controller Assembly
5	550010706	2	Screw eco-fix M3X6 w / Nylock
6	780891032	1	Flat cable 2X20 (4 connect)

Centronics & VGA Replaceable Parts (Figure 8-18)

Item	LeCroy Part Number	Qty	Description
1	709601211	1	Bracket
2	550431106	2	Screw pan hd PH w/whr M3X6 w / Nylock
3	405204000	6	Mounting hdw for conn.shell
4	F9601-2	1	Centronics & VGA Card

Floppy Replaceable Parts (Figure 8-19)

Item	LeCroy Part Number	Qty	Description
1	709600611	1	Floppy Drive support
2	330000002	1	Floppy Disk Drive 3.5"
3	550010103	4	Screw pan hd phil M2.5X3 w/ Nylock
4	S9601-61	1	Interface Card
5	550010706	2	Screw eco-fix M3X6 w / Nylock



All dimensions are in millimeters
 Weight with graphic printer : 20 Kg.

Figure 8-20: LC684D/DM/DL/DXL Dimensions

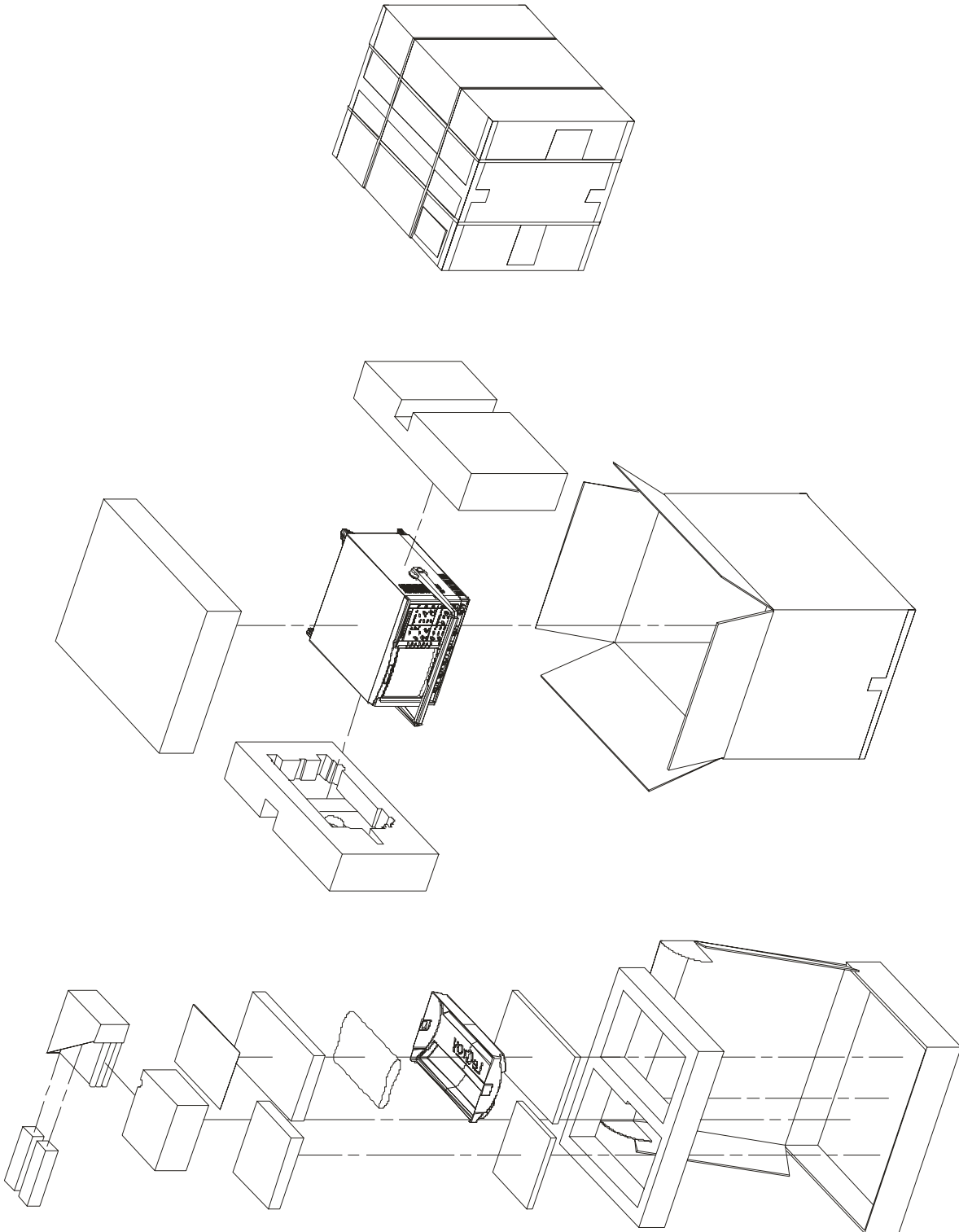


Figure 8-21: LC684D/DM/DL/DXL Packaging